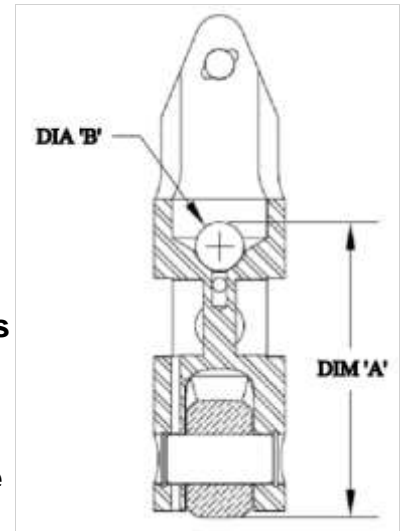


Morel Lifters - Dim A and Dia B Report

1. Dim A is the distance measured from the bottom of the Roller to the top of the Ball placed in the Seat.
2. Dia B is the diameter of the Ball placed in the Seat.
3. Dim A and Dia B represent a mean, or average, value of measurements for Dim A or Dia B.
4. Dimension A can vary because multiple manufacturing tolerances can "stack" upon each other. Therefore, never use Dim A, taken from the table, to calculate the length of the Push Rods.
5. Always use the actual measurement for Dim A. after receiving the



Set#	Dim A	Dia B	Set#	Dim A	Dia B	Set#	Dim A	Dia B
4552	1.637"	0.375"	4882	1.910"	0.312"	5343	2.637"	0.312"
4601	1.890"	0.312"	4885	1.910"	0.312"	5345	2.637"	0.312"
4602	2.685"	0.312"	4914	1.890"	0.312"	5347	2.637"	0.312"
4603	2.685"	0.312"	4969	1.596"	0.312"	5356	2.637"	0.312"
4604	1.890"	0.312"	4970	1.596"	0.312"	5372	2.685"	0.312"
4605	1.890"	0.312"	4989	1.890"	0.312"	5374	2.685"	0.312"
4606	1.890"	0.312"	5006	1.596"	0.312"	5381	1.596"	0.312"
4607	1.890"	0.312"	5044	2.667"	0.312"	5382	1.596"	0.312"
4677	1.890"	0.312"	5045	2.667"	0.312"	5386	2.685"	0.312"
4708	2.667"	0.312"	5206	2.685"	0.312"	5393	2.685"	0.312"
4713	2.033"	0.312"	5228	1.596"	0.312"	5411	2.033"	0.312"
4719	2.033"	0.312"	5260	1.890"	0.312"	5425	1.890"	0.312"
4723	1.834"	0.375"	5270	1.890"	0.312"	5428	1.890"	0.312"
4726	2.033"	0.312"	5274	2.685"	0.312"	5436	2.033"	0.312"
4730	1.834"	0.375"	5276	2.667"	0.312"	5440	2.033"	0.312"
4737	1.890"	0.312"	5283	2.685"	0.312"	5446	1.699"	0.375"
4789	2.672"	0.312"	5290	2.685"	0.312"	5452	1.890"	0.312"
4793	2.667"	0.312"	5294	2.667"	0.312"	5454	2.033"	0.312"
4795	2.672"	0.312"	5315	2.676"	0.312"	5456	2.033"	0.312"
4838	1.890"	0.312"	5319	2.685"	0.312"	5457	1.890"	0.312"
4841	1.890"	0.312"	5321	2.685"	0.312"	5459	1.890"	0.312"
4843	1.890"	0.312"	5323	2.672"	0.312"	5461	1.890"	0.312"
4845	1.890"	0.312"	5325	2.672"	0.312"	5463	1.890"	0.312"
4849	1.637"	0.375"	5327	2.672"	0.312"	5468	2.765"	0.312"
4867	1.890"	0.312"	5329	2.672"	0.312"	5470	2.765"	0.312"
4869	1.890"	0.312"	5331	2.685"	0.312"	5472	2.765"	0.312"
4872	1.890"	0.312"	5333	2.685"	0.312"	5474	2.765"	0.312"
4875	1.890"	0.312"	5335	2.685"	0.312"	5488	1.890"	0.312"
4877	1.910"	0.312"	5337	2.685"	0.312"	5490	1.890"	0.312"
4879	1.910"	0.312"	5339	2.685"	0.312"	5505	1.890"	0.312"

Set#	Dim A	Dia B	Set#	Dim A	Dia B	Set#	Dim A	Dia B
5506	1.890"	0.312"	6138	1.890"	0.312"	6434	1.890"	0.312"
5511	2.637"	0.312"	6141	1.890"	0.312"	6436	1.890"	0.312"
5517	2.637"	0.312"	6143	1.890"	0.312"	6438	2.685"	0.312"
5520	2.637"	0.312"	6146	1.890"	0.312"	6440	2.685"	0.312"
5547	2.637"	0.312"	6148	1.890"	0.312"	6446	1.890"	0.312"
5549	2.637"	0.312"	6150	1.596"	0.312"	6448	2.685"	0.312"
5553	2.637"	0.312"	6152	2.033"	0.312"	6451	2.667"	0.312"
5555	2.637"	0.312"	6154	2.033"	0.312"	6457	1.890"	0.312"
5557	2.033"	0.312"	6156	2.033"	0.312"	6459	1.890"	0.312"
5561	1.890"	0.312"	6158	1.890"	0.312"	6475	1.890"	0.312"
5564	1.596"	0.312"	6160	1.890"	0.312"	6478	1.890"	0.312"
5850	2.672"	0.312"	6162	2.033"	0.312"	6480	1.890"	0.312"
5868	2.667"	0.312"	6164	2.033"	0.312"	6481	1.890"	0.312"
5877	2.685"	0.312"	6166	1.890"	0.312"	6483	1.890"	0.312"
5879	2.667"	0.312"	6168	1.890"	0.312"	6485	1.890"	0.312"
5884	2.685"	0.312"	6170	1.890"	0.312"	6487	1.890"	0.312"
5891	2.765"	0.312"	6172	1.890"	0.312"	6489	1.890"	0.312"
5910	2.033"	0.312"	6175	1.890"	0.312"	6492	1.890"	0.312"
5919	2.033"	0.312"	6177	1.890"	0.312"	6494	1.890"	0.312"
5963	1.890"	0.312"	6182	1.596"	0.312"	6496	1.890"	0.312"
5965	1.890"	0.312"	6190	1.890"	0.312"	6498	1.890"	0.312"
5989	2.637"	0.312"	6192	1.890"	0.312"	6504	2.676"	0.312"
6039	1.890"	0.312"	6196	1.910"	0.312"	6506	1.910"	0.312"
6042	1.890"	0.312"	6200	1.910"	0.312"	6528	2.661"	0.312"
6048	1.890"	0.312"	6202	1.910"	0.312"	6530	2.033"	0.312"
6072	2.765"	0.312"	6204	1.910"	0.312"	6532	1.910"	0.312"
6074	2.765"	0.312"	6219	1.699"	0.375"	6535	1.890"	0.312"
6076	2.685"	0.312"	6243	2.033"	0.312"	6551	2.033"	0.312"
6083	2.765"	0.312"	6348	1.890"	0.312"	6562	1.890"	0.312"
6085	2.765"	0.312"	6356	1.890"	0.312"	6574	2.033"	0.312"
6087	2.667"	0.312"	6359	1.890"	0.312"	6578	1.910"	0.312"
6111	1.890"	0.312"	6361	1.890"	0.312"	6591	1.890"	0.312"
6114	1.890"	0.312"	6363	1.890"	0.312"	6593	1.890"	0.312"
6116	2.033"	0.312"	6365	1.910"	0.312"	6619	1.910"	0.312"
6118	1.890"	0.312"	6367	1.890"	0.312"	6633	1.890"	0.312"
6121	1.890"	0.312"	6380	1.910"	0.312"	6636	1.596"	0.312"
6123	1.890"	0.312"	6382	1.910"	0.312"	6641	1.890"	0.312"
6125	1.910"	0.312"	6392	1.890"	0.312"	6647	1.699"	0.375"
6128	1.910"	0.312"	6396	1.890"	0.312"	6661	1.890"	0.312"
6130	1.890"	0.312"	6398	2.667"	0.312"	6681	1.890"	0.312"
6132	1.890"	0.312"	6400	1.890"	0.312"	6688	1.890"	0.312"
6134	1.890"	0.312"	6402	2.685"	0.312"	6917	2.672"	0.312"
6136	1.890"	0.312"	6415	1.910"	0.312"	7142	1.910"	0.312"

Set#	Dim A	Dia B	Set#	Dim A	Dia B	Set#	Dim A	Dia B
7149	1.890"	0.312"						
7260	2.667"	0.312"						
7262	2.667"	0.312"						
7281	2.033"	0.312"						
7282	1.910"	0.312"						
7285	1.699"	0.375"						
7288	1.890"	0.312"						
7290	1.637"	0.375"						
7309	1.890"	0.312"						
7358	2.765"	0.312"						
7360	2.765"	0.312"						
7391	1.890"	0.312"						
7481	1.890"	0.312"						
7483	2.672"	0.312"						
7485	1.699"	0.375"						
7528	2.672"	0.312"						
7530	2.667"	0.312"						
7532	1.890"	0.312"						
7547	2.765"	0.312"						
7551	1.910"	0.312"						
7555	1.890"	0.312"						
7565	2.672"	0.312"						
7687	2.667"	0.312"						
7689	1.890"	0.312"						
7692	2.765"	0.312"						
7699	2.033"	0.312"						
7703	2.033"	0.312"						
7717	2.676"	0.312"						
7735	1.890"	0.312"						
7774	1.890"	0.312"						
7828	1.890"	0.312"						